



BXUV.S301 Fire Resistance Ratings - ANSI/UL 263

[Page Bottom](#)

Design/System/Construction/Assembly Usage Disclaimer

- Authorities Having Jurisdiction should be consulted in all cases as to the particular requirements covering the installation and use of UL Listed or Classified products, equipment, system, devices, and materials.
 - Authorities Having Jurisdiction should be consulted before construction.
 - Fire resistance assemblies and products are developed by the design submitter and have been investigated by UL for compliance with applicable requirements. The published information cannot always address every construction nuance encountered in the field.
 - When field issues arise, it is recommended the first contact for assistance be the technical service staff provided by the product manufacturer noted for the design. Users of fire resistance assemblies are advised to consult the general Guide Information for each product category and each group of assemblies. The Guide Information includes specifics concerning alternate materials and alternate methods of construction.
 - Only products which bear UL's Mark are considered as Classified, Listed, or Recognized.
-

Fire Resistance Ratings - ANSI/UL 263

[See General Information for Fire Resistance Ratings - ANSI/UL 263](#)

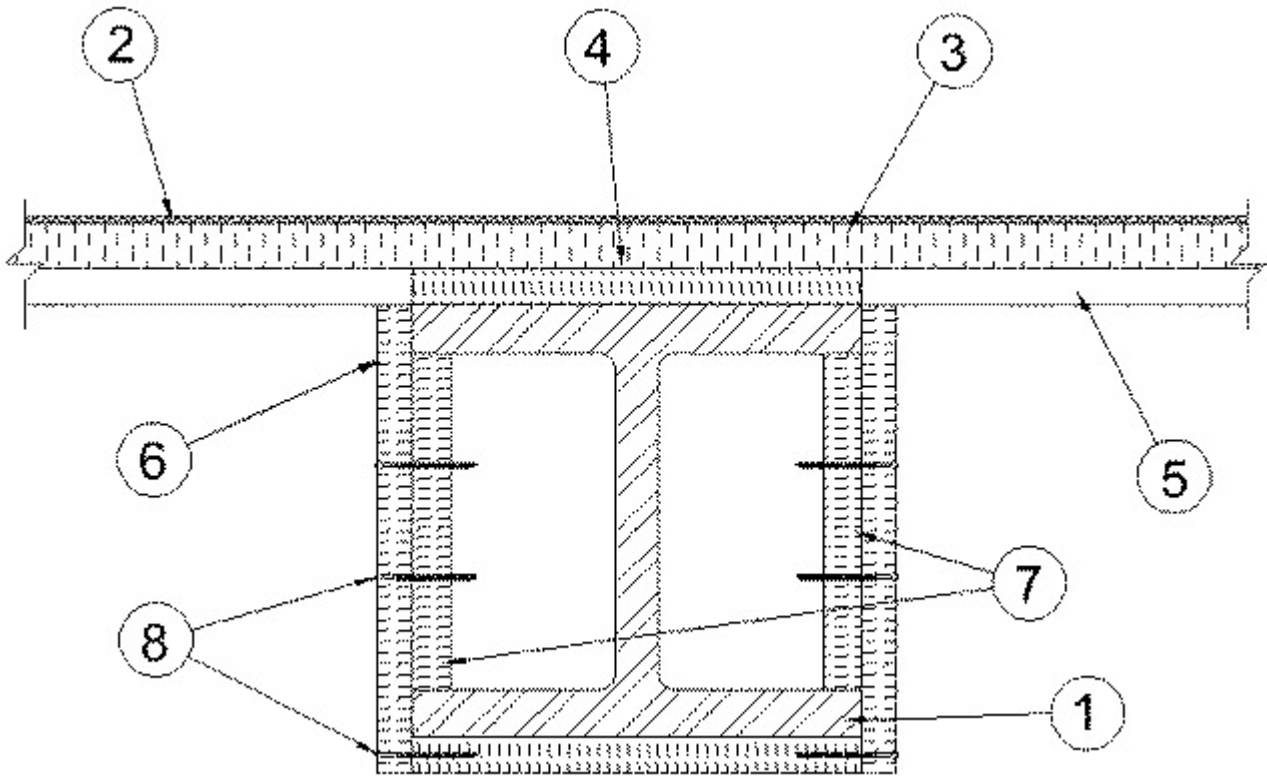
Design No. S301

February 07, 2003

Restrained Beam Ratings — 1, 1-1/2 or 2 Hr (See Item 6)

Unrestrained Beam Ratings — 1, 1-1/2 & 2 Hr (See Item 6)

Load Restricted for Canadian Applications — See Guide [BXUV7](#)



1. **Steel Beam** — W8x28 min size.

2. **Roof Covering*** — Consisting of hot mopped, cold application or single ply materials, compatible with insulations described herein which provide Class A, B or C coverings. See Roofing Materials and Systems Directory-Roof Covering Materials (TEVT).

3. **Mineral And Fiber Boards*** — 24 by 48 in. boards applied in single or multiple layers. Boards secured to steel roof deck units and previous layer of insulation, if multiple layers are used, with adhesive.

JOHNS MANVILLE INTERNATIONAL INC

4. **Adhesive*** — (Optional) Applied to steel roof deck units in 1/2 in. wide ribbons approx 6 in. OC at 0.4 gal per 100 sq ft. See Adhesive (BYWR) category for names of manufacturers.

5. **Steel Roof Deck** — (Unclassified) — Fluted, No. 22 MSG, galv 1-1/2 in. deep with 3-1/2 in. wide flutes spaced 6 in. OC. Ends overlapped at supports a min of 1-1/2 in. and welded to supports, 12 in. OC, max. Adjacent units button punched, welded or screwed together along side joints.

6. **Mineral and Fiber Boards** — Boards cut in various widths to be compatible with the size of beam being protected. Boards placed parallel with the flange of the beams are cut the width of the flange. Boards placed parallel with the web of the beams are cut the width of the beam (web side) plus twice the board thickness. The voids created by the flutes above the beam to be filled with mineral wool batts having a nom density of 4 lb per cu ft.

Restrained and Unrestrained Beam Ratings, Hr	Min Nominal Thkns In.
1	3/4
1-1/2	3/4
2	1-1/2

ALBI MFG, DIV OF STANCHEM INC — Type Dri-Clad

7. **Noggings** — Min 1-1/2 in. thick, pieces of mineral and fiber board (See Item 6). Cut to friction fit between beam flanges; located at horizontal butted joints of adjacent mineral and fiber board sections (Item 6) on the web sides of the beam.

8. **Fasteners** — The boards are fastened to the noggings and to each other by means of spiral type screws, spaced a max of 6 in. OC. The fasteners are installed on both sides of horizontal joints.

*Bearing the UL Classification Mark

Last Updated on 2003-02-07

[Questions?](#)

[Notice of Disclaimer](#)

[Page Top](#)

[Copyright © 2008 Underwriters Laboratories Inc.®](#)

The appearance of a company's name or product in this database does not in itself assure that products so identified have been manufactured under UL's Follow-Up Service. Only those products bearing the UL Mark should be considered to be Listed and covered under UL's Follow-Up Service. Always look for the Mark on the product.

UL permits the reproduction of the material contained in the Online Certification Directory subject to the following conditions: 1. The Guide Information, Designs and/or Listings (files) must be presented in their entirety and in a non-misleading manner, without any manipulation of the data (or drawings). 2. The statement "Reprinted from the Online Certifications Directory with permission from Underwriters Laboratories Inc." must appear adjacent to the extracted material. In addition, the reprinted material must include a copyright notice in the following format: "Copyright © 2008 Underwriters Laboratories Inc.®"

An independent organization working for a safer world with integrity, precision and knowledge.

