

BXUV.P601 Fire Resistance Ratings - ANSI/UL 263

Page Bottom

Design/System/Construction/Assembly Usage Disclaimer

- Authorities Having Jurisdiction should be consulted in all cases as to the particular requirements covering the installation and use of UL Listed or Classified products, equipment, system, devices, and materials.
- Authorities Having Jurisdiction should be consulted before construction.
- Fire resistance assemblies and products are developed by the design submitter and have been investigated by UL for compliance with applicable requirements. The published information cannot always address every construction nuance encountered in the field.
- When field issues arise, it is recommended the first contact for assistance be the technical service staff provided by the product manufacturer noted for the design. Users of fire resistance assemblies are advised to consult the general Guide Information for each product category and each group of assemblies. The Guide Information includes specifics concerning alternate materials and alternate methods of construction.
- Only products which bear UL's Mark are considered as Classified, Listed, or Recognized.

Fire Resistance Ratings - ANSI/UL 263

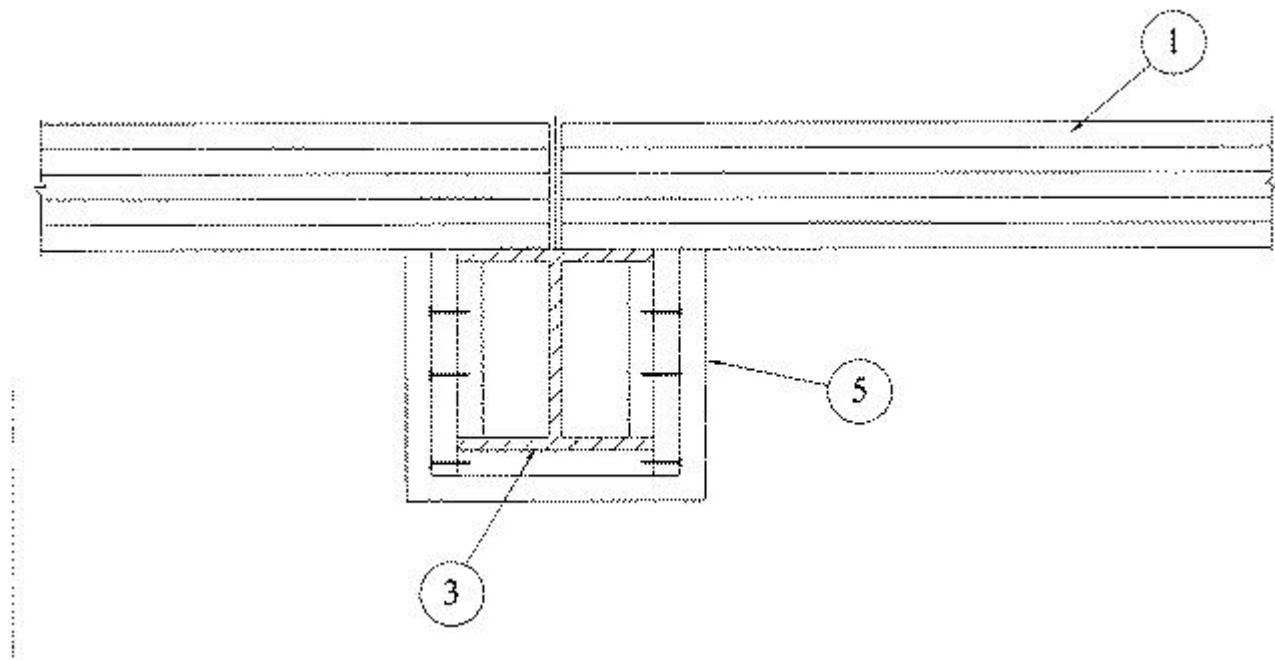
See General Information for Fire Resistance Ratings - ANSI/UL 263

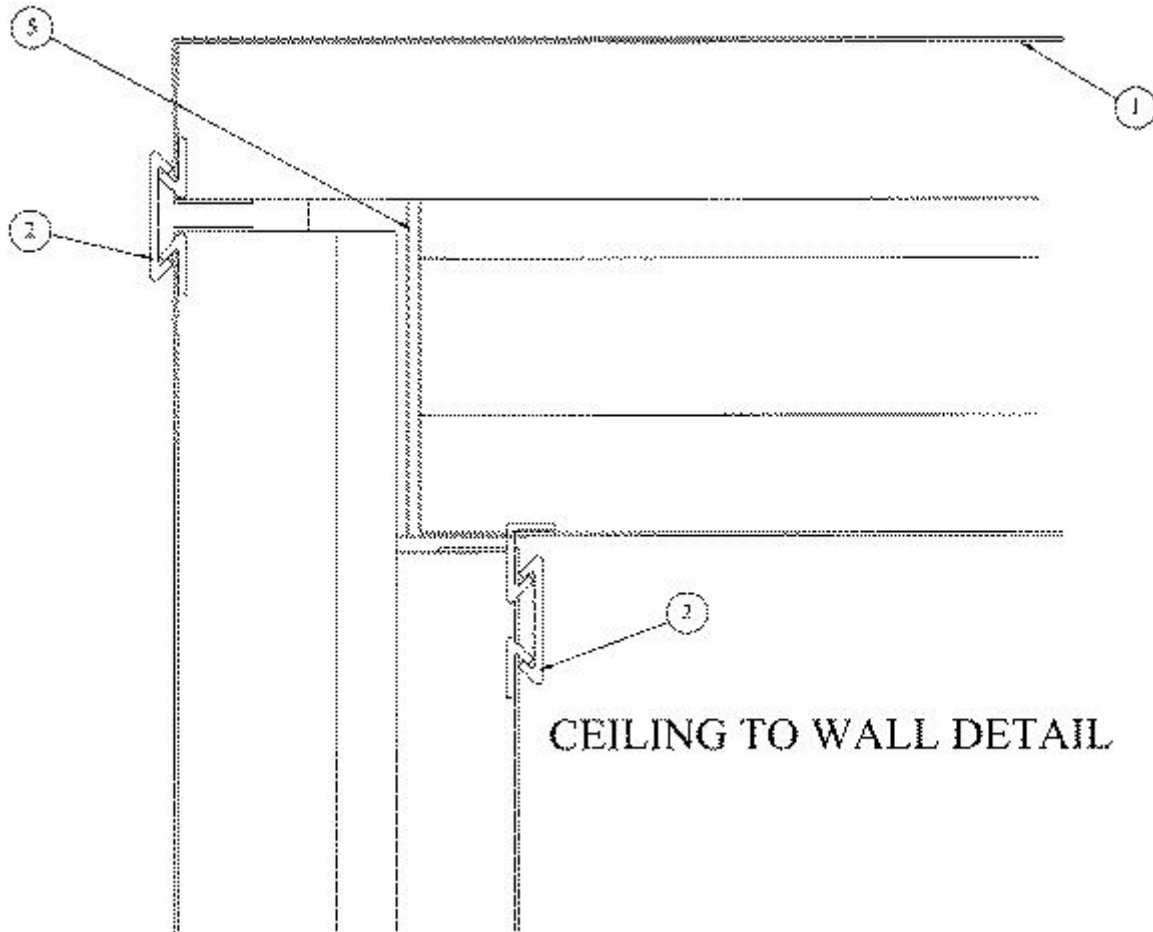
Design No. P601

December 07, 2001

Unrestrained Assembly Ratings-1-1/2 Hr.

Load Restricted for Canadian Applications — See Guide BXUV7





1. **Units, Partition Panel*** — Prefabricated unit a minimum of 5 in thick, maximum length of 10 ft. Adjacent units secured together per manufacturer's installation instructions. Units may span from wall to wall or from wall to structural beam. When applied to a structural beam the units float freely over the beam. Units to be used in conjunction with wall units shown in Design No. U045 in Volume 1 of the Fire Resistance Directory.

LAMPERTZ GMBH & CO KG — IT Environment Ceiling Element

2. **Fasteners (not shown)** — Used to secure adjacent units together, trapezoidal shaped steel approximately 3/16 in. thick and 2-1/4 in. or 3-1/2 in long with the inside dimensions being 1 - 1/8 in. and 1 - 3/8 in. for the small and large ends respectively. The fasteners shall be spaced a maximum of 18 in. OC. These fasteners are designed to interact with the fittings provided on the panels.

3. **Beam (when necessary)** — Minimum size W8x31 ASTM A36 steel beam shall be used when unit dimensions exceed 10 ft. . The top flange of the beam shall be protected by Item 4 prior to installation of the ceiling elements.

4. **Gasket Material*** — A self-adhesive gasket material installed on the top flange of the beam. The material shall be equal in width to the top flange of the beam.

LAMPERTZ GMBH & CO KG — Seal Package

5. **Mineral and Fiber Board*** — Minimum nominal 7/8 in thick mineral and fiber board installed in accordance with Design No.N307.

ALBI MFG, DIV OF STANCHEM INC — Dri-Clad

*Bearing the UL Classification Mark

Last Updated on 2001-12-07

Copyright © 2008 Underwriters Laboratories Inc.®

The appearance of a company's name or product in this database does not in itself assure that products so identified have been manufactured under UL's Follow-Up Service. Only those products bearing the UL Mark should be considered to be Listed and covered under UL's Follow-Up Service. Always look for the Mark on the product.

UL permits the reproduction of the material contained in the Online Certification Directory subject to the following conditions: 1. The Guide Information, Designs and/or Listings (files) must be presented in their entirety and in a non-misleading manner, without any manipulation of the data (or drawings). 2. The statement "Reprinted from the Online Certifications Directory with permission from Underwriters Laboratories Inc." must appear adjacent to the extracted material. In addition, the reprinted material must include a copyright notice in the following format: "Copyright © 2008 Underwriters Laboratories Inc.®"

An independent organization working for a safer world with integrity, precision and knowledge.

