

PREPARATION

Albi DriClad requires no special treatment to the steel substrate.* Cut boards to size with due allowance for steel tolerances and board thicknesses.

INSTALLATION SEQUENCE

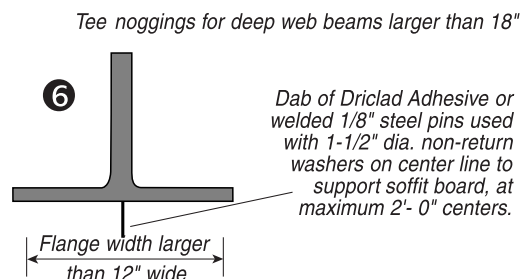
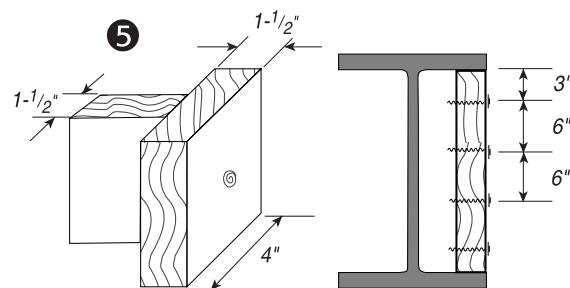
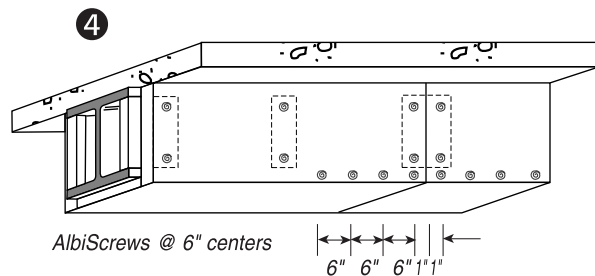
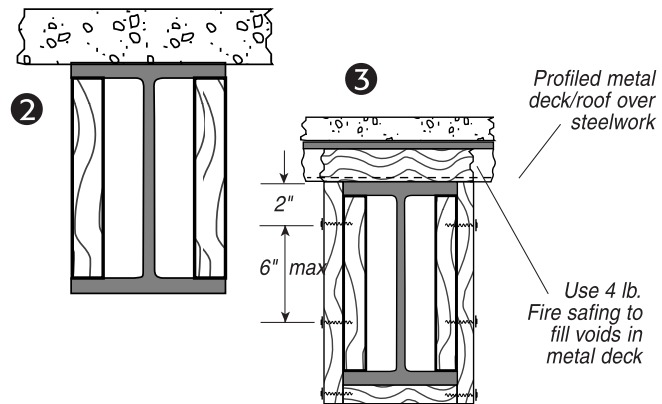
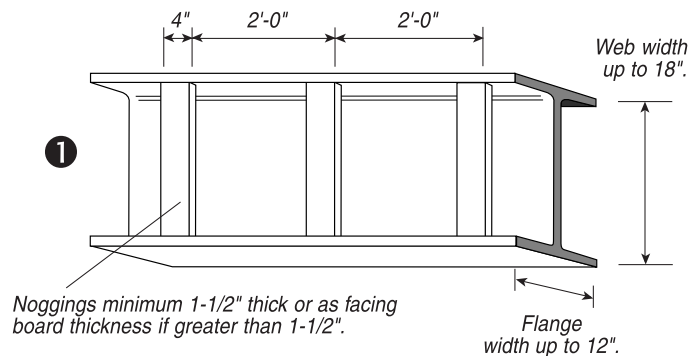
(A) Cut noggings 4" wide or more and push fit into web at 2'-0" centers as shown in figure 1. Ideally, nogging should extend slightly beyond flange tip 1/16". For beams with webs deeper than 18" use tee-shaped noggings as shown in figure 5.

(B) Cut side boards to suit depth of steel section plus thickness of fireproofing board. Install DriClad boards using two AlbiScrews at each end and at each intermediary nogging. (See figures 3 and 4)

(C) Cut width of soffit boards to fit between side panels (nominal width of flange). Install panel tight up to flange with AlbiScrews at 6" centers along each side as shown in figures 3 and 4. For beams with flanges wider than 12" soffit boards require additional support. Use either DriClad Adhesive or steel pins as shown in figure 6.

Note: The nominal minimum length of AlbiScrews is the total thickness of the DriClad boards being fixed together. e.g. 3/4" fireproofing plus 1-1/2" minimum nogging requires size 1 (2-1/4") AlbiScrews.

*Steel should be free from dust and loose particles where noggings are to be installed.



Rev: 12/00

WARRANTY

LIMITED WARRANTY/LIMITATION OF LIABILITY: Seller warrants that its products will meet the specifications which it sets for them. Seller's responsibility under this warranty will be limited solely to replacing the products which prove defective, provided that Buyer gives Seller prompt notice in writing of said defect and satisfactory proof thereof. Products may be returned to Seller only after written authorization has been obtained from Seller. The foregoing warranty is in lieu of all other warranties, whether oral, written, express, implied or statutory. IMPLIED WARRANTIES OF MERCHANTABILITY AND FITNESS FOR A PARTICULAR PURPOSE WILL NOT APPLY. Technical or other advice is furnished by us solely as an accommodation and shall not increase the scope of our responsibilities or liability. Seller's warranty obligations and Buyer's remedies hereunder are solely and exclusively as stated herein: In no event will Seller be liable either for the labor and other associated costs incurred in replacing the product, including, but not limited to, its removal and application, or for other incidental or consequential damages.