

DriClad Installation Instructions

Fig. 1
Beam

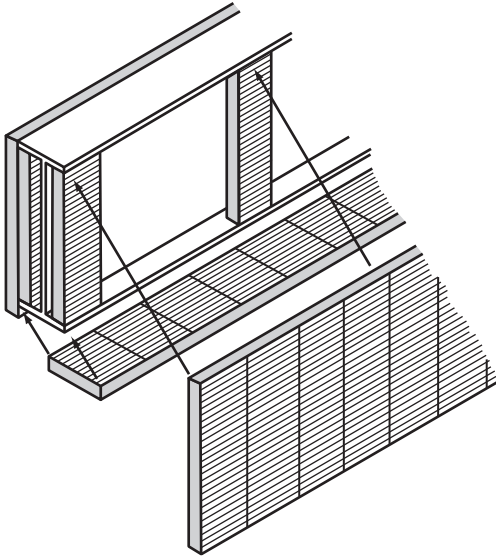


Fig. 2
Small Beam to Larger

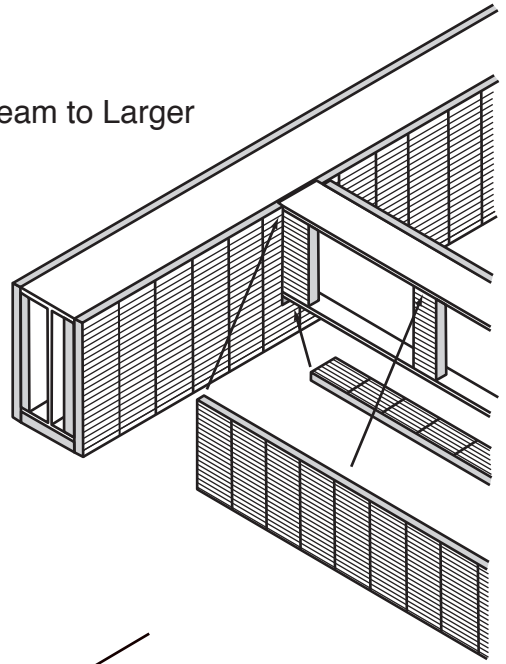


Fig. 3
Wall Angle

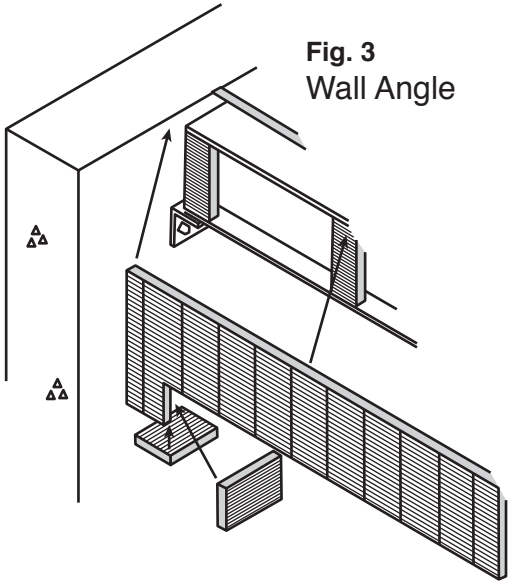


Fig. 4
Beam Pocket

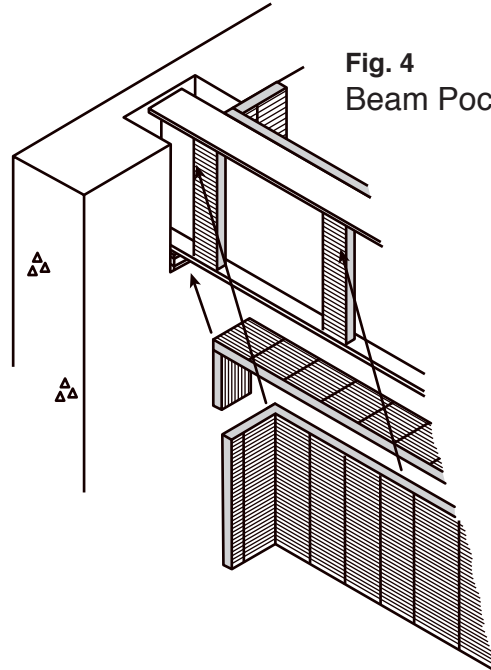


Fig. 5
Beam at Wall
(min. room)

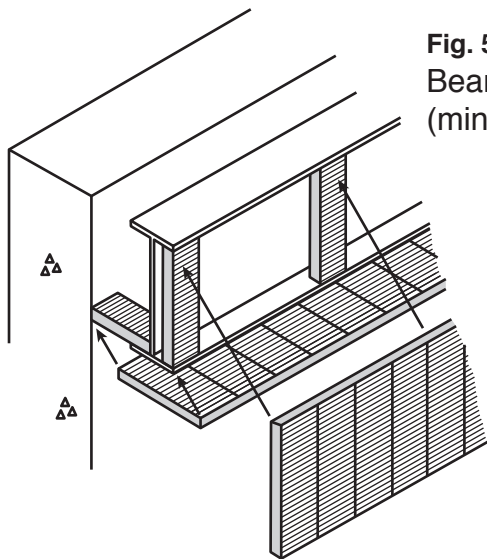
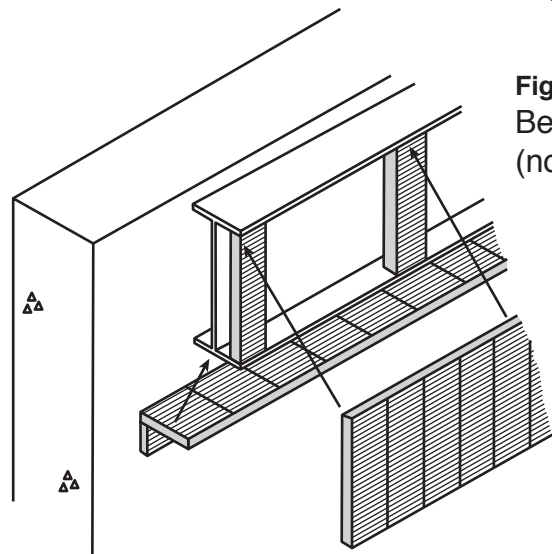


Fig. 6
Beam at Wall
(no room)



DriClad Installation Instructions

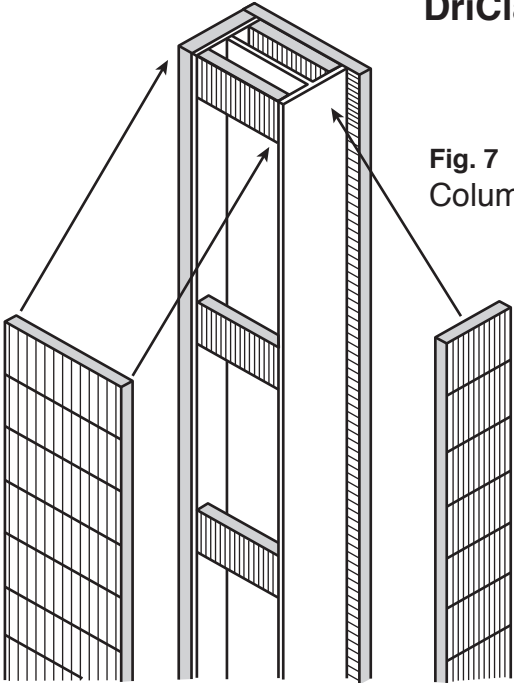


Fig. 7
Column

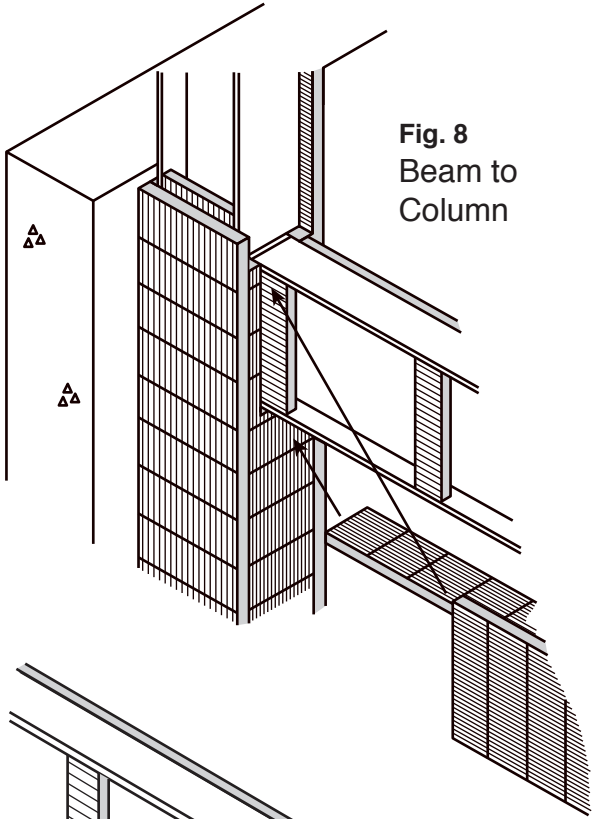


Fig. 8
Beam to
Column

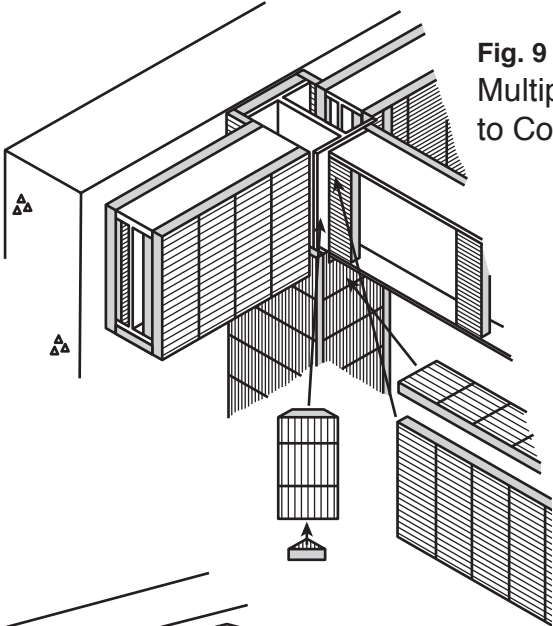


Fig. 9
Multiple Beams
to Columns

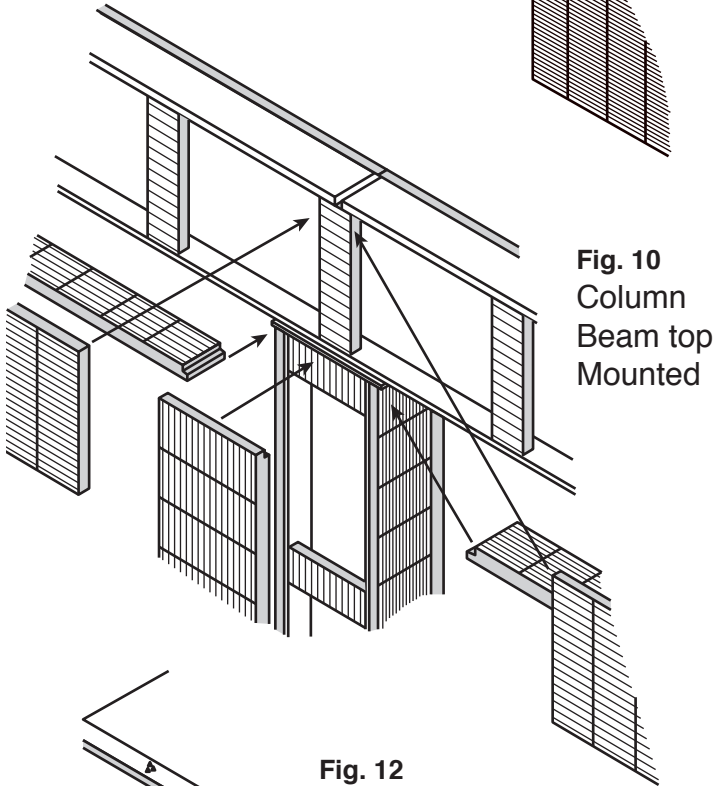


Fig. 10
Column
Beam top
Mounted

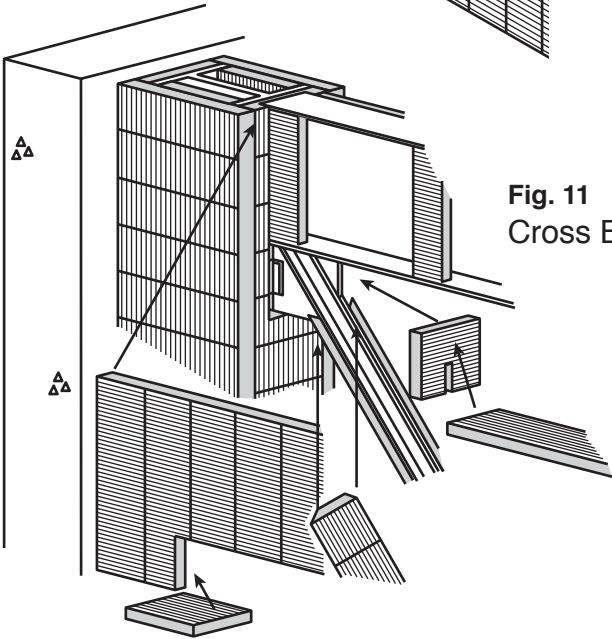


Fig. 11
Cross Bracing

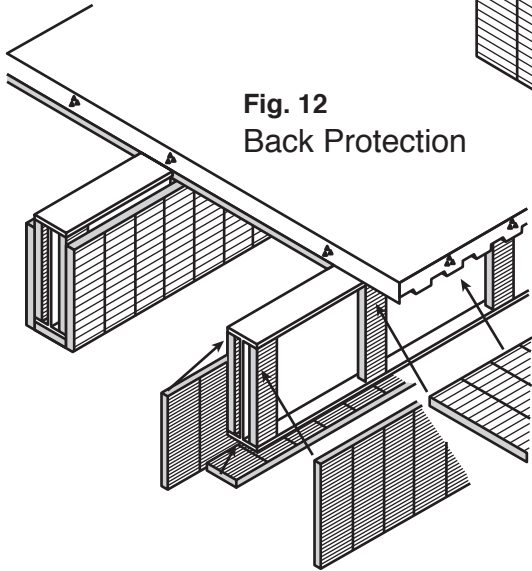


Fig. 12
Back Protection